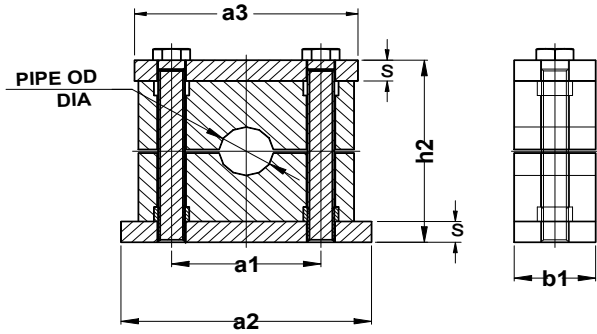


TUFIT STANDARD SERIES CLAMPS (DIN 3015)

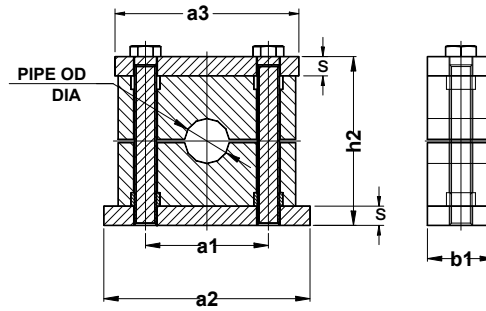


DIN	PIPE OD DIA	a ₂	a ₃	a ₁	T	h ₂	BOLT SIZE	TUFIT PART NO.
1	4	43	37	20	3	33	M6x30	TCS04L
	6							TCS06L
	6.4							TCS014L
	8							TCS08L
	9.5							TCS038L
	10							TCS10L
	12							TCS12L
2	12.7	48	42	26	3	39	M6x35	TCS012L
	13.5							TCS13.5L
	14							TCS14L
	15							TCS15L
	16							TCS16L
3	17.2	56	50	33	3	42	M6x40	TCS17.2L
	18							TCS18L
	19							TCS034L
	20							TCS20L
	21.3							TCS21.3L
	22							TCS22L
	25							TCS25L
4	26.9	65	59	40	3	48	M6x45	TCS26.9L
	28							TCS28L
	30							TCS30L
5	32	77	71	52	3	64	M6x60	TCS32L
	33.7							TCS33.7L
	35							TCS35L
	38							TCS38L
	40							TCS40L
	42							TCS42L
6	44.5	9	86	66	3	72	M6x70	TCS44.5L
	48.3							TCS48.3L
	50.8							TCS50.8L

Metal Assemblies	Jaws Material	Surface Protection on Metal Assemblies	Tufit Part No. Example
Carbon Steel	Polypropylene	Trivalent Cr(VI) - free Zinc Plated Bright Passivated	TCS04L
AISI-304	Polypropylene	Natural Finish	TCS04LS4
AISI-316	Polypropylene	Natural Finish	TCS04LS6

NOTE-Jaws Material Can be Polypropylene (PP), Alsi304, AISI316, Carbon steel Or Aluminum and Metal Assemblies Can be Carbon Steel, Alsi304 or AISI316 Can be Customize as on Request.

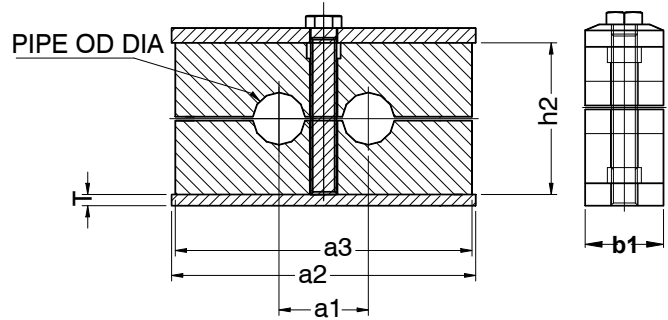
TUFIT HEAVY SERIES CLAMPS (DIN 3015)



DIN	PIPE OD DIA	a3	a1	h2	b1	a2	S	BOLT SIZE	TUFIT PART NO.
1	6	55	33	48	30	70	8	M10x45	TCS06S
	6.4								TCS014S
	8								TCS08S
	9.5								TCS038S
	10								TCS10S
	12								TCS12S
	12.5								TCS12.5S
	13.5								TCS13.5S
	14								TCS14S
	15								TCS15S
	16								TCS16S
	17.2								TCS17.2S
	18								TCS18S
	2								19
20		TCS20S							
21.3		TCS21.3S							
22		TCS22S							
25		TCS25S							
26.9		TCS26.9S							
28		TCS28S							
30		TCS30S							
30		TCS30S							
33.7		TCS33.7S							
3	35	85	60	76	30S	100	8	M10x70	TCS35S
	38								TCS38S
	42								TCS42S
	42								TCS42S
	48.3								TCS48.3S
4	50.8	115	90	117	45	140	10	M12x100	TCS50.8
	60.3								TCS60.3S
	63.5								TCS63.5S
	65								TCS65S
	70								TCS70S
5	73	152	122	140	60	180	10	M16x130	TCS73S
	76.1								TCS76.1S
	88.9								TCS88.9S
	102								TCS102S
6	114	206	168	197	80	216	15	M20x190	TCS114S
	127								TCS127S
	133								TCS133S
	141								TCS141S
7	152	251	205	230	91	270	15	M24x225	TCS152S
	168								TCS168S

Metal Assemblies	Jaws Material	Surface Protection on Metal Assemblies	Tufit Part No. Example
Carbon Steel	Polypropylene	Trivalent Cr(VI) - free Zinc Plated Bright Passivated	TCS06S
AISI-304	Polypropylene	Natural Finish	TCS06S S4
AISI-316	Polypropylene	Natural Finish	TCS06S 6

NOTE-Jaws Material Can be Polypropylene (PP), AISI304, AISI316, Carbon steel Or Aluminum and Metal Assemblies Can be Carbon Steel, AISI304 or AISI316 Can be Customize as on Request.

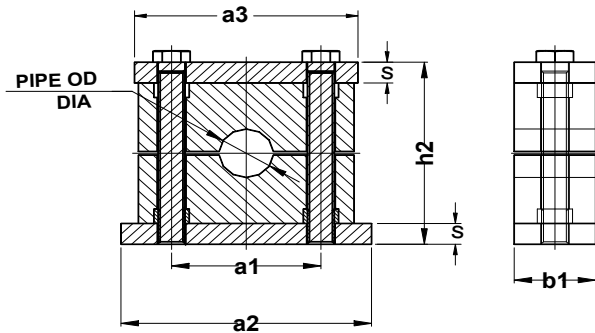


DIN	PIPE OD DIA	a ₂	a ₃	a ₁	T	h ₂	BOLT SIZE	TUFIT PART NO.
1	6	42	36	20	3	27	M6x35	TCT06
	6.4							TCT014
	8							TCT08
	9.5							TCT038
	10							TCT10
	12							TCT12
2	12.7	59	53	29	5	27	M8x35	TCT012
	13.5							TCT13.5
	14							TCT14
	15							TCT15
	16							TCT16
	17.2							TCT17.2
	18							TCT18
3	19	74	67	36	5	37	M8x45	TCT034
	20							TCT20
	21.3							TCT21.3
	22							TCT22
	25							TCT25
4	26.9	86	80	45	5	40	M 8x50	TCT26.9
	28							TCT28
	30							TCT28
5	32	112	106	56	5	53	M8x60	TCT32
	33.7							TCT33.7
	35							TCT35
	38							TCT38
	40							TCT40
	42							TCT42

Metal Assemblies	Jaws Material	Surface Protection on Metal Assemblies	Tufit Part No. Example
Carbon Steel	Polypropylene	Trivalent Cr(VI) - free Zinc Plated Bright Passivated	TCT06
AISI-304	Polypropylene	Natural Finish	TCT06S4
AISI-316	Polypropylene	Natural Finish	TCT06S6

NOTE-Jaws Material Can be Polypropylene (PP), AISI304, AISI316, Carbon steel Or Aluminum and Metal Assemblies Can be Carbon Steel, AISI304 or AISI316 Can be Customize as on Request.

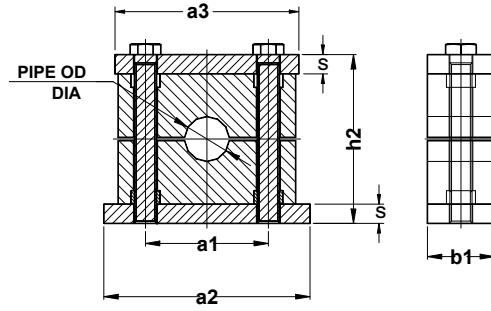
TUFIT STANDARD SERIES CLAMPS (DIN 3015)



DIN	PIPE OD DIA	a ₂	a ₃	a ₁	T	h ₂	BOLT SIZE	TUFIT PART NO.
1	4	43	37	20	3	33	M6x30	TCS04LAL
	6							TCS06LAL
	6.4							TCS014LAL
	8							TCS08LAL
	9.5							TCS038LAL
	10							TCS10LAL
	12							TCS12LAL
2	12.7	48	42	26	3	39	M6x35	TCS012LAL
	13.5							TCS13.5LAL
	14							TCS14LAL
	15							TCS15LAL
	16							TCS16LAL
3	17.2	56	50	33	3	42	M6x40	TCS17.2LAL
	18							TCS18LAL
	19							TCS034LAL
	20							TCS20LAL
	21.3							TCS21.3LAL
	22							TCS22LAL
	25							TCS25LAL
4	26.9	65	59	40	3	48	M6x45	TCS26.9LAL
	28							TCS28LAL
	30							TCS30LAL
5	32	77	71	52	3	64	M6x60	TCS32LAL
	33.7							TCS33.7LAL
	35							TCS35LAL
	38							TCS38LAL
	40							TCS40LAL
	42							TCS42LAL
6	44.5	9	86	66	3	72	M6x70	TCS44.5LAL
	48.3							TCS48.3LAL
	50.8							TCS50.8LAL

NOTE-Jaws Material Can be Polypropylene (PP), AISI304, AISI316, Carbon steel Or Aluminum and Metal Assemblies Can be Carbon Steel, AISI304 or AISI316 Can be Customize as on Request.

TUFIT HEAVY SERIES CLAMPS (DIN 3015)



DIN	PIPE OD DIA	a3	a1	h2	b1	a2	S	BOLT SIZE	TUFIT PART NO.
1	6	55	33	48	30	70	8	M10x45	TCS06SAL
	6.4								TCS014SAL
	8								TCS08SAL
	9.5								TCS038SAL
	10								TCS10SAL
	12								TCS12SAL
	12.5								TCS12.5SAL
	13.5								TCS13.5SAL
	14								TCS14SAL
	15								TCS15SAL
	16								TCS16SAL
	17.2								TCS17.2SAL
	18								TCS18SAL
	2								19
20		TCS20SAL							
21.3		TCS21.3SAL							
22		TCS22SAL							
25		TCS25SAL							
26.9		TCS26.9SAL							
28		TCS28SAL							
30		TCS30SAL							
30		TCS30SAL							
33.7		TCS33.7SAL							
35		TCS35SAL							
3	38	85	60	76	30S	100	8	M10x70	TCS38SAL
	42								TCS42SAL
	42								TCS42SAL
	48.3								TCS48.3SAL
	50.8								TCS50.8SAL
4	60.3	115	90	117	45	140	10	M12x100	TCS60.3SAL
	63.5								TCS63.5SAL
	65								TCS65SAL
	70								TCS70SAL
	73								TCS73SAL
5	76.1	152	122	140	60	180	10	M16x130	TCS76.1SAL
	88.9								TCS88.9SAL
	102								TCS102SAL
	114								TCS114SAL
6	127	206	168	197	80	216	15	M20x190	TCS127SAL
	133								TCS133SAL
	141								TCS141SAL
7	152	251	205	230	91	270	15	M24x225	TCS152SAL
	168								TCS168SAL

NOTE-Jaws Material Can be Polypropylene (PP), AISI304, AISI316, Carbon steel Or Aluminum and Metal Assemblies Can be Carbon Steel, AISI304 or AISI316 Can be Customize as on Request.