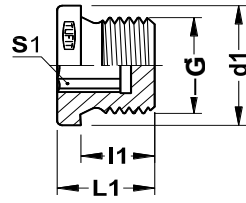
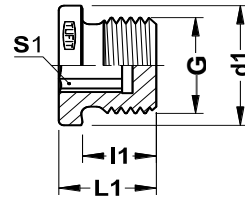


G BSP	$d_1$	$I_1$	$L_1$	$S_1$ A/F	Carbon Steel		
					WP	Part No.	Cross Reference
G 1/8 A	14	8	12	5	400	BPEG018	VST11/8ED
G 1/4 A	19	12	17	6	400	BPEG014	VST11/4ED
G 3/8 A	22	12	17	8	400	BPEG038	VST13/8ED
G1/2 A	27	14	19	10	400	BPEG012	VST11/2ED
G 3/4 A	32	16	21	12	400	BPEG034	VST13/4ED
G1 A	40	16	22.5	17	400	BPEG001	VST11ED
G1-1/4 A	50	16	22.5	22	315	BPEG114	VST111/4ED
G1-1/2 A	55	16	22.5	24	315	BPEG112	VST111/2ED
G 2 A	70	20	27.0	32	-	BPEG002	-

Material	Surface Protection	Tufit Part No. Example
Carbon Steel	Trivalent Cr(VI) - free Zinc Plated Bright Passivated	BPEG018
AISI-304	Natural Finish	BPEG018S4
AISI-316	Natural Finish	BPEG018S6



**Form-A**



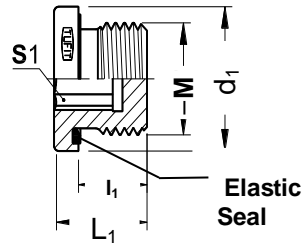
**Form-B**

G BSP	d <sub>1</sub>	l <sub>1</sub>	L1	S <sub>1</sub> A/F	Carbon Steel		
					WP	Part- No. Form-A	Part- No. Form- B
G 1/8 A	14	8	11	5	400	BPAG018	BPBG018
G 1/4 A	18	12	15	6	400	BPAG014	BPBG014
G 3/8 A	22	12	15	8	400	BPAG038	BPBG038
G 1/2 A	26	14	18	10	400	BPAG012	BPBG012
G 3/4 A	32	16	20	12	400	BPAG034	BPBG034
G 1 A	39	16	21	17	400	BPAG001	BPBG001
G 1-1/4 A	49	16	21	22	315	BPAG114	BPBG114
G 1-1/2 A	55	16	21	24	315	BPAG112	BPBG112
G 2 A	68	20	25	32	315-	BPAG002	BPBG002

Material	Surface Protection	Tufit Part No. Example
Carbon Steel	Trivalent Cr(VI) - free Zinc Plated Bright Passivated	BPAG018
AISI-304	Natural Finish	BPAG018S4
AISI-316	Natural Finish	BPAG018S6

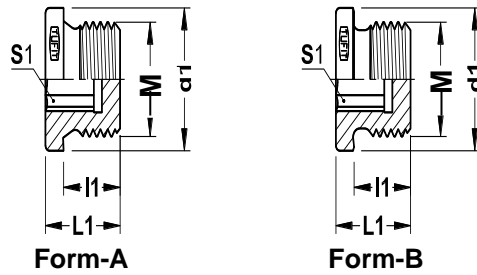
**TUFIT** ALLEN SOCKET HEAD BLANKING PORT PLUG- METRIC PARALLAL FORM-E (ISO:9974-2)

DIN: 908



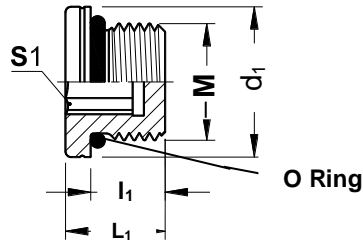
M METRIC	d <sub>1</sub>	l <sub>1</sub>	L <sub>1</sub>	S1 A/F	WP	Carbon Steel	
						Part No.	Cross Reference
M 10x1	14	8	12	5	400	BPEM10	VSTI10X1ED
M 12x1.5	17	12	17	6	400	BPEM12	VSTI12X1.5ED
M 14x1.5	19	12	17	6	400	BPEM14	VSTI14X1.5ED
M 16x1.5	22	12	17	8	400	BPEM16	VSTI16X1.5ED
M 18x1.5	24	12	17	8	400	BPEM18	VSTI18X1.5ED
M 20x1.5	26	14	19	10	400	BPEM20	VSTI20X1.5ED
M 22x1.5	27	14	19	10	400	BPEM22	VSTI22X1.5ED
M 26x1.5	32	16	21	12	400	BPEM26	VSTI26X1.5ED
M 27x2	32	16	21	12	400	BPEM27	VSTI27X2ED
M 33x2	40	16	22.5	17	400	BPEM33	VSTI33X2ED
M 42x2	50	16	22.5	22	315	BPEM42	VSTI42X2ED
M 48x2	55	16	22.5	24	315	BPEM48	VSTI48X2ED

Material	Surface Protection	Tufit Part No. Example
Carbon Steel	Trivalent Cr(VI) - free Zinc Plated Bright Passivated	BPEM10
AISI-304	Natural Finish	BPEM10S4
AISI-316	Natural Finish	BPEM10S6



M Metric	d <sub>1</sub>	l <sub>1</sub>	L <sub>1</sub>	S <sub>1</sub> A/F	WP	Part- No. Form-A	Part- No. Form-B
M 8x1	12	8	11	4	400	BPAM08	BPBM08
M 10x1	14	8	11	5	400	BPAM10	BPBM10
M 12x1.5	17	12	15	6	400	BPAM12	BPBM12
M 14x1.5	19	12	15	6	400	BPAM14	BPBM14
M 16x1.5	21	12	15	8	400	BPAM16	BPBM16
M 18x1.5	23	12	16	8	400	BPAM18	BPBM18
M 20x1.5	25	14	18	10	400	BPAM20	BPBM20
M 22x1.5	27	14	18	10	400	BPAM22	BPBM22
M 24x1.5	29	14	18	12	400	BPAM24	BPBM24
M 26x1.5	31	16	20	12	400	BPAM26	BPBM26
M 27x2	32	16	20	12	400	BPAM27	BPBM27
M 33x2	39	16	21	17	400	BPAM33	BPBM33
M 42x2	49	16	21	22	315	BPAM42	BPBM42
M 48x2	55	16	21	24	315	BPAM48	BPBM48

Material	Surface Protection	Tufit Part No. Example
Carbon Steel	Trivalent Cr(VI) - free Zinc Plated Bright Passivated	BPAM08
AISI-304	Natural Finish	BPAM08S4
AISI-316	Natural Finish	BPAM08S6

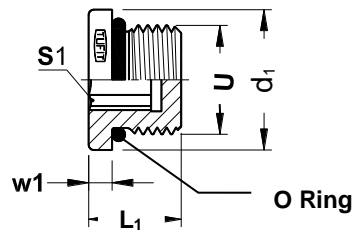


M Metric	d <sub>1</sub>	l <sub>1</sub>	L <sub>1</sub>	S <sub>1</sub> A/F	WP	Carbon Steel	
						Part No.	Cross Reference
M 10x1	13	9.5	13.5	5	630	BPFM10	VSTI10X1OR
M12x1.5	17	11	16	6	630	BPFM12	VSTI12X1.5OR
M 14x1.5	19	11	16	6	630	BPFM14	VSTI14X1.5OR
M 16x1.5	21	12.5	17.5	8	630	BPFM16	VSTI16X1.5OR
M 18x1.5	23	14	19	8	630	BPFM18	VSTI18X1.5OR
M 22x1.5	27	15	20	10	630	BPFM22	VSTI22X1.5OR
M 27x2	32	18.5	23.5	12	400	BPFM27	VSTI27X2OR
M 33x2	38	18.5	25	17	400	BPFM33	VSTI33X2OR
M 42x2	48	19	25.5	22	400	BPFM42	VSTI42X2OR
M 48x2	55	21.5	28	24	400	BPFM48	VSTI48X2OR

Material	Surface Protection	Tufit Part No. Example
Carbon Steel	Trivalent Cr(VI) - free Zinc Plated Bright Passivated	BPFM08
AISI-304	Natural Finish	BPFM08S4
AISI-316	Natural Finish	BPFM08S6

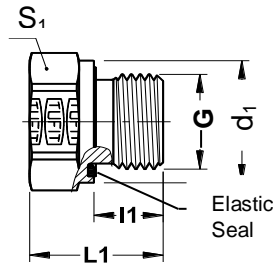
**TUFIT** HEX HEAD BLANKING PORT PLUG-UNF (ISO: 11926-1 / SAE: J1926-1)

SAE: 090109B



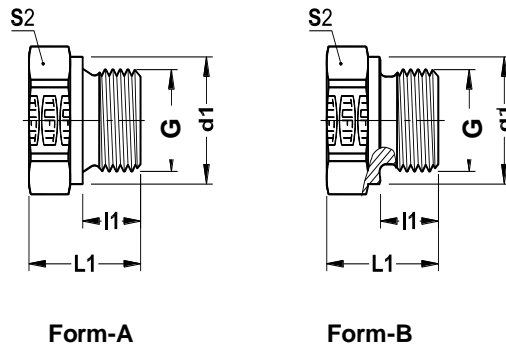
U UN/ UNF	$d_1$	$W_1$	$L_1$	$S_1$ A/F	WP	Carbon Steel	
						Part No.	Cross Reference
5/16-24 UNF-2A	11	3	10	1/8	420	BPFU0516	2 P5ON-S
3/8-24 UNF-2A	13	3	10	1/8	420	BPFU0038	3 P5ON-S
7/16-20 UNF-2A	14	3	12	3/16	420	BPFU0716	4 P5ON-S
1/2-20 UNF-2A	16	3	12	3/16	420	BPFU0012	5 P5ON-S
9/16-18 UNF-2A	18	3	13	1/4	420	BPFU0916	6 P5ON-S
3/4-16 UNF-2A	22	4	15	5/16	420	BPFU0034	8 P5ON-S
7/8-14 UNF-2A	25	4	16	3/8	420	BPFU0078	10 P5ON-S
1-1/16-12 UN-2A	32	5	19	9/16	420	BPFU1116	12 P5ON-S
1-3/16-12 UN-2A	35	5	19	9/16	380	BPFU1316	14 P5ON-S
1-5/16-12 UN-2A	38	5	19	5/8	380	BPFU1516	16 P5ON-S
1-5/8-12 UN-2A	48	5	19	3/4	280	BPFU0158	20 P5ON-S
1-7/8-12 UN-2A	54	5	20	3/4	210	BPFU0178	24 P5ON-S

Material	Surface Protection	Tufit Part No. Example
Carbon Steel	Trivalent Cr(VI) - free Zinc Plated Bright Passivated	BPFM08
AISI-304	Natural Finish	BPFM08S4
AISI-316	Natural Finish	BPFM08S6



G BSP	$d_1$	$l_1$	L1	$S_1$ A/F	Carbon Steel	
					WP	Part No.
G 1/8 A	14	8	14.5	14	400	HBPEG018
G 1/4 A	19	12	20	19	400	HBPEG014
G 3/8 A	22	12	22.5	22	400	HBPEG038
G 1/2 A	26	14	24	27	400	HBPEG012
G 3/4 A	32	16	26	32	400	HBPEG034
G 1 A	40	16	27	41	400	HBPEG001
G 1-1/4 A	50	16	28	50	315	HBPEG114
G 1-1/2 A	55	16	30	55	315	HBPEG112
G2A	70	20	36	70	315	HBPEG002

Material	Surface Protection	Tufit Part No. Example
Carbon Steel	Trivalent Cr(VI) - free Zinc Plated Bright Passivated	HBPEG018
AISI-304	Natural Finish	HBPEG018S4
AISI-316	Natural Finish	HBPEG018S6



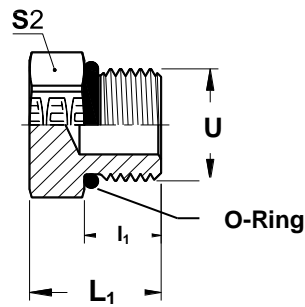
G BSP	d <sub>1</sub>	l <sub>1</sub>	L <sub>1</sub>	S <sub>2</sub> A/F	WP	Carbon Steel	
						Part No. Form-A	Part No. Form-B
G 1/8 A	14	8	14.5	14	400	HBPAG018	HBPBG018
G 1/4 A	18	12	20	19	400	HBPAG014	HBPBG014
G 3/8 A	22	12	22.5	22	400	HBPAG038	HBPBG038
G 1/2 A	26	14	24	27	400	HBPAG012	HBPBG012
G 3/4 A	32	16	26	32	400	HBPAG034	HBPBG034
G 1 A	39	16	27	41	400	HBPAG001	HBPBG001
G 1-1/4 A	49	16	28	50	315	HBPAG114	HBPBG114
G 1-1/2 A	55	16	30	55	315	HBPAG112	HBPBG112
G2A	68	20	36	70	315	HBPAG002	HBPBG002

Material	Surface Protection	Tufit Part No. Example
Carbon Steel	Trivalent Cr(VI) - free Zinc Plated Bright Passivated	HBPAG018
AISI-304	Natural Finish	HBPAG018S4
AISI-316	Natural Finish	HBPAG018S6



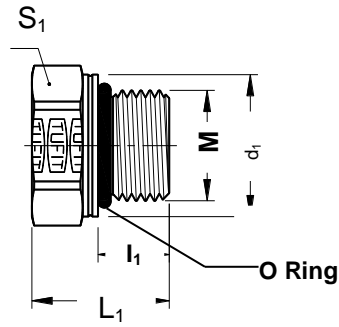
**TUFIT** HEX HEAD BLANKING PORT PLUG-UNF FORM-F (ISO:11926-3)

SAE: 090109A



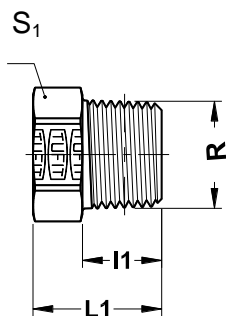
U UN/ UNF	l <sub>1</sub>	L <sub>1</sub>	S <sub>2</sub> A/F	Carbon Steel		
				WP	Part No.	Cross Reference
5/16-24 UNF-2A	8	16	11	525	HBPFU0516	2 P5ON-S
3/8-24 UNF-2A	8	16	13	525	HBPFU0038	3 P5ON-S
7/16-20 UNF-2A	9	17	14	525	HBPFU0716	4 P5ON-S
1/2-20 UNF-2A	9	17	16	420	HBPFU0012	5 P5ON-S
9/16-18 UNF-2A	10	19	18	420	HBPFU0916	6 P5ON-S
3/4-16 UNF-2A	11	20	22	420	HBPFU0034	8 P5ON-S
7/8-14 UNF-2A	13	24	25	420	HBPFU0078	10 P5ON-S
1-1/16-12UN-2A	15	28	32	420	HBPFU1116	12 P5ON-S
1-3/16-12UN-2A	15	28	35	380	HBPFU1316	14 P5ON-S
1-5/16-12UN-2A	15	29	38	380	HBPFU1516	16 P5ON-S
1-5/8-12 UN-2A	15	31	48	280	HBPFU0158	20 P5ON-S
1-7/8-12 UN-2A	15	32	54	210	HBPFU0178	24 P5ON-S
2-1/2-12 UN-2A	15	37	70	140	HBPF0212	32 P5ON-S

Material	Surface Protection	Tufit Part No. Example
Carbon Steel	Trivalent Cr(VI) - free Zinc Plated Bright Passivated	HBPFU0516
AISI-304	Natural Finish	HBPFU0516S4
AISI-316	Natural Finish	HBPFU0516S6



M Metric`	$d_1$	$l_1$	$L_1$	$S_1$ A/F	Carbon Steel	
					WP	Part- No.
M 8x1	11.8	9.5	16	12	560	HBPFM08
M10x1	13.8	9.5	16	14	560	HBPFM10
M 12x1.5	16.8	11	18.5	17	560	HBPFM12
M 14x1.5	18.8	11	19.5	19	560	HBPFM14
M 16x1.5	21.8	12.5	21.5	22	560	HBPFM16
M 18x1.5	23.8	14	23.5	24	420	HBPFM18
M22x1.5	26.8	15	25.5	27	420	HBPFM22
M 27x2	31.8	18.5	32	32	420	HBPFM27
M 33x2	40.8	18.5	32	41	420	HBPFM33
M 42x2	49.8	19	34	50	140	HBPFM42
M48x2	54.8	21.5	35.5	55	70	HBPFM48

Material	Surface Protection	Tufit Part No. Example
Carbon Steel	Trivalent Cr(VI) - free Zinc Plated Bright Passivated	HBPFM08
AISI-304	Natural Finish	HBPFM08S4
AISI-316	Natural Finish	HBPFM08S6

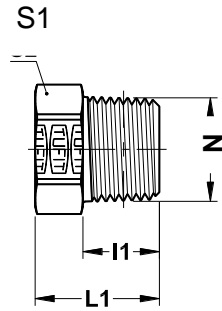


R BSPT	$l_1$	$L_1$	$S_1$ A/F	Carbon Steel		
				WP	Part No.	Cross Reference
R 1/8-28	8	14	11	420	HBPR018	1/8HP3MS
R 1/4-19	12	19	14	420	HBPR014	1/4HP3MS
R 3/8-19	12	20	17	420	HBPR038	3/8HP3MS
R 1/2-14	14	25	22	420	HBPR012	1/2HP3MS
R 3/4-14	16	27	27	380	HBPR034	3/4HP3MS
R 1-11	18	32	36	315	HBPR001	1HP3MS

Material	Surface Protection	Tufit Part No. Example
Carbon Steel	Trivalent Cr(VI) - free Zinc Plated Bright Passivated	HBPR018
AISI-304	Natural Finish	HBPR018S4
AISI-316	Natural Finish	HBPR018S6

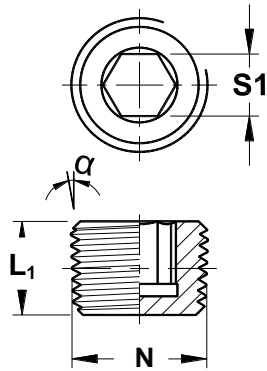
**TUFIT** HEX HEAD TAPER PORT PLUG-NPT (SAE:J476)

SAE 130 109 E



N NPT	I1	L1	S1 A/F	Carbon Steel		
				W/P	Part No.	Cross Reference
1/8-27	8	14	11	420	HBPN018	1/8 HP-S
1/4-18	10	19	14	420	HBPN014	1/4 HP-S
3/8-18	11	20	18	420	HBPN038	3/8 HP-S
1/2-14	13	25	22	420	HBPN012	1/2 HP-S
3/4-14	15	27	27	380	HBPN034	3/4 HP-S
1 -11-1/2	17	32	35	315	HBPN001	1HP S
1-1/4 -11-1/2	21	36	46	210	HBPN114	11/4HP-S
1-1/2 -11-1/2	22	38	50	210	HBPN112	11/2 HP-S

Material	Surface Protection	Tufit Part No. Example
Carbon Steel	Trivalent Cr(VI) - free Zinc Plated Bright Passivated	HBPN018
AISI-304	Natural Finish	HBPN018S4
AISI-316	Natural Finish	HBPN018S6



Dry Seal thread      NPTF-3/4" taper per ft.  $\alpha$  1° 47' 24"

N NPT / NPTF	L <sub>1</sub>	S <sub>1</sub> A/F	WP	Carbon Steel	
				Part No.	Cross Reference
1/8-27	8	3/16	420	BPN018	1/8 HHP-S
1/4-18	12	1/4	420	BPN014	1/4 HHP-S
3/8-18	12	5/16	420	BPN038	3/8 HHP-S
1/2-14	16	3/8	420	BPN012	1/2 HHP-S
3/4-14	16	9/16	380	BPN034	3/4 HHP-S
1 -11-1/2	20	5/8	380	BPN001	1 HHP-S
1-1/4 -11-1/2	20.6	3/4	380	BPN112	-
1-1/2 -11-1/2	20.6	1	380	BPN114	-

Material	Surface Protection	Tufit Part No. Example
Carbon Steel	Trivalent Cr(VI) - free Zinc Plated Bright Passivated	BPN018
AISI-304	Natural Finish	BPN018S4
AISI-316	Natural Finish	BPN018S6